

For reference only. See data sheet for the detailed specifications.

Technical Specification

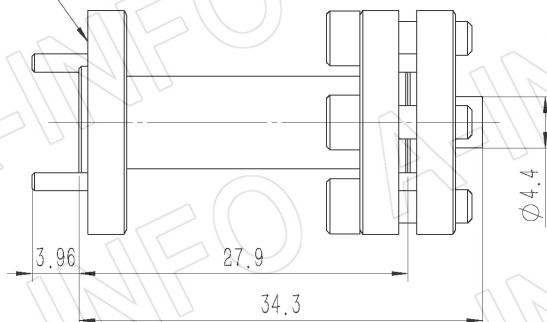


| | |
|--------------------------|----------------------|
| Frequency Range(GHz) | 170.0 – 260.0 |
| Waveguide | WR4 |
| Gain(dBi) | 15 Typ. |
| Polarization | Linear |
| 3dB Beamwidth(deg) | E Plane: 20 Typ. |
| | H Plane: 26 Typ. |
| Cross Pol. Isolation(dB) | 35 Typ. |
| VSWR | 1.25:1 Max. |
| Output | UG-387/U-M |
| Material | Cu |
| Finish | Gold Plated |
| Size(mm) | 19.05 x 19.05 x 34.3 |
| Net Weight(Kg) | 0.03 Around |

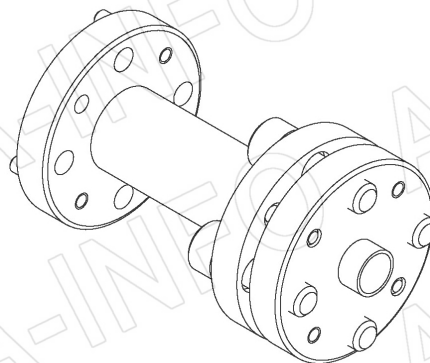
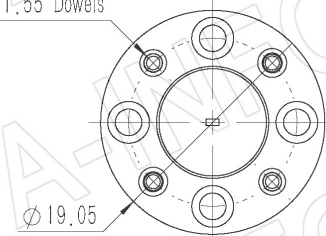
Outline Drawing (Size: mm)

UG-387/U-M Output (P/N: LB-CNH-4-15-A)

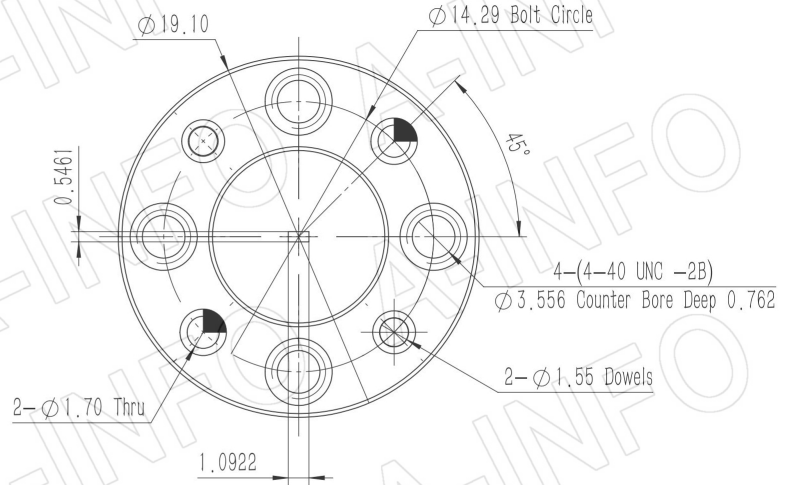
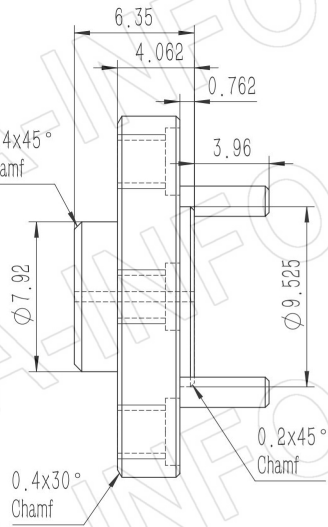
UG-387/U-M



2x \varnothing 1.55 Dowels



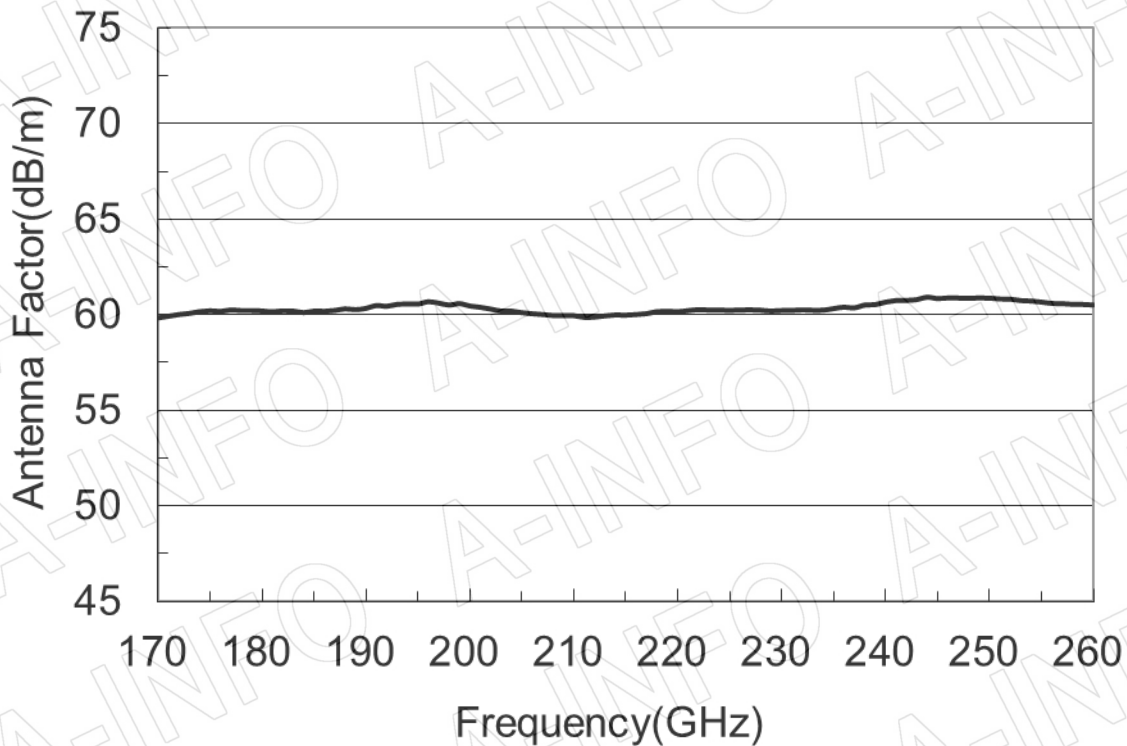
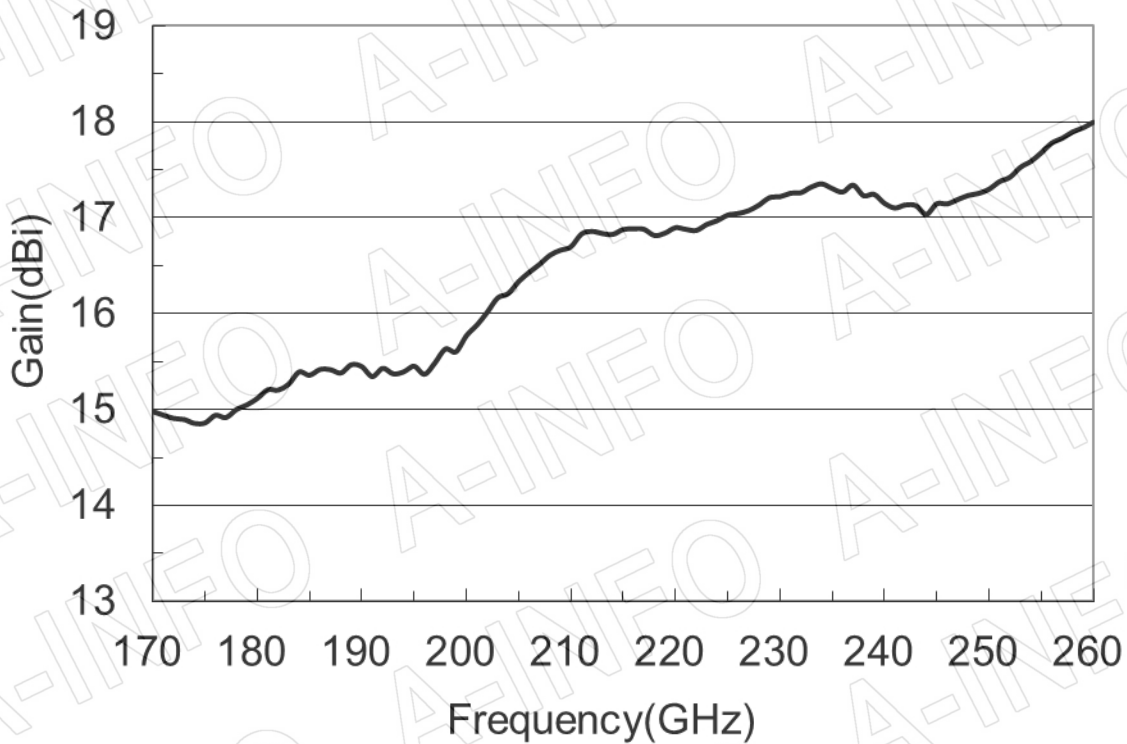
Flange Drawing (Size: mm)



UG-387/U-M

Test Results

1. Gain & Antenna Factor



2. Pattern

